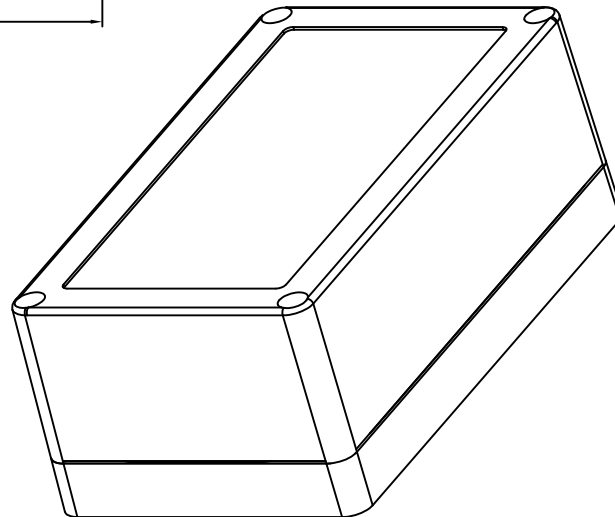
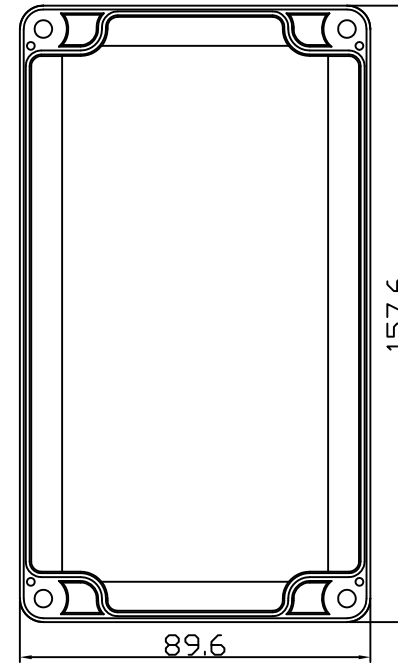
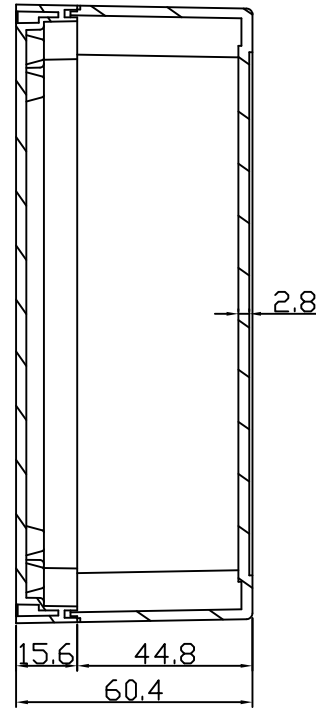
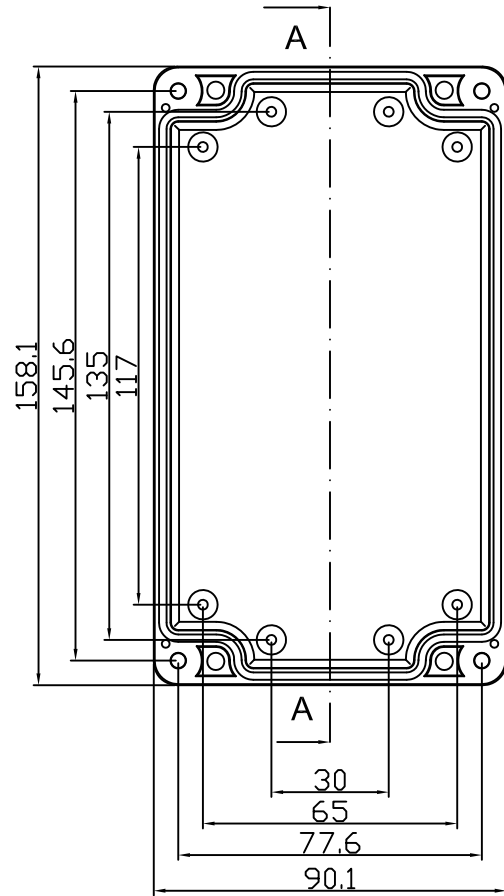


REVISION RECORD				
REV	ECD	DESCRIPTION	DRFT	CHKD



DETACHED LISTS			DRAWN	NAME	DATE		<b>EVEREST</b> WWW.EVERESTCASE.COM	
	TOLERANCES EXCEPT AS NOTED		Kelvin	01/15/2015	TITLE			
	MM	±	CHECKED		PW083			
	.0 ± 0.3	±	ENG APPR.		DRAWING NO. PW083			
.00 ± 0.2	±	MATERIAL : ABS		/PART NO. 00		SIZE	REV	
.000 ± 0.1	±	QT'Y :		DO NOT SCALE DRAWING		A4		
ANGLES ± 5°		FINISH:		SHEET 1		OF 1		
		SCALE : 1:1						