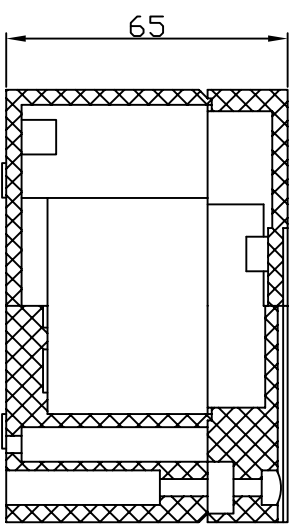
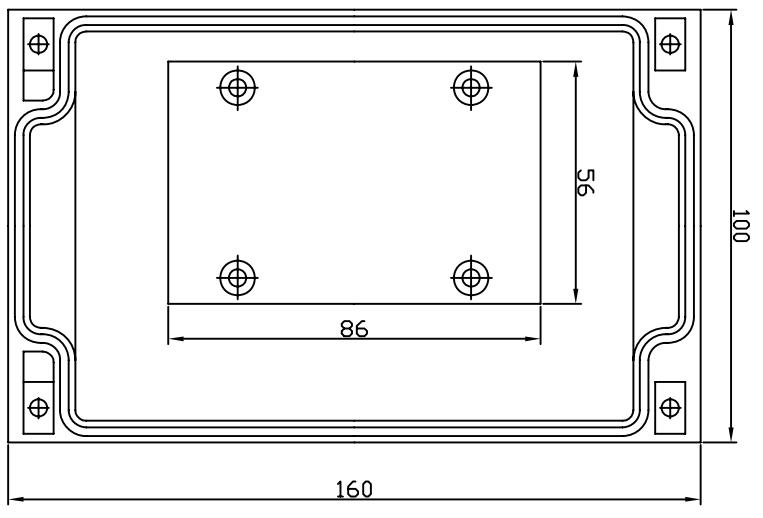
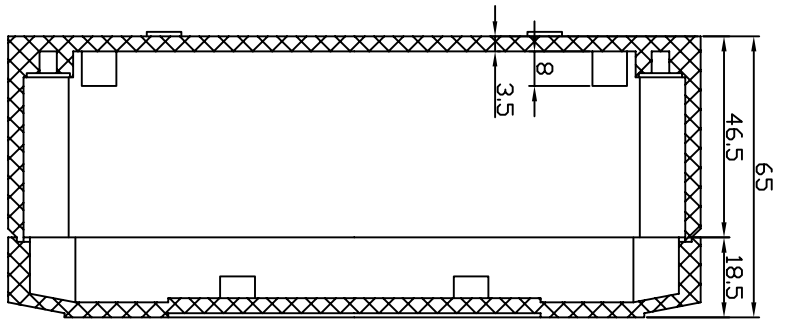
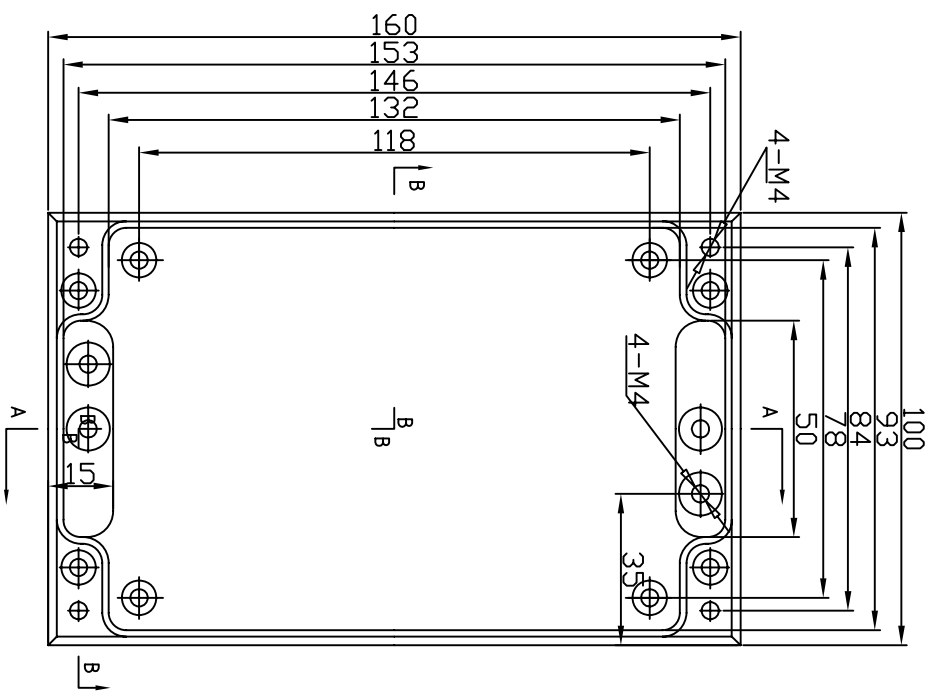


REVISION RECORD			
REV	ECD	DESCRIPTION	DRFT



DETACHED LISTS		TOLERANCES EXCEPT AS NOTED		DRFTD		DATE	
MM	0 ± 0.3	MM	±	CHKD	DATE	DATE	DATE
MM	.00 ± 0.02	MM	±	MFD	DATE	DATE	DATE
MM	0.00 ± 0.1	MM	±	APVVL	DATE	DATE	DATE
ANGLES ± 5°		±		MATERIAL: AL		TITLE	
THIRD ANGLE PROJECTION		±		QTY: 1		DRAWING NO. AW016	
SCALE: 1:1		±		FINISH:		/PART NO. 00	
SCALE: 1:1		±		SCALE: 1:1		DID NOT SCALE DRAWING	
SCALE: 1:1		±		SCALE: 1:1		SHEET 1 OF 1	

**埃弗勒斯**  
**EVEREST**  
WWW.EVERESTCASE.COM

**AW016**

SIZE  
A4  
REV