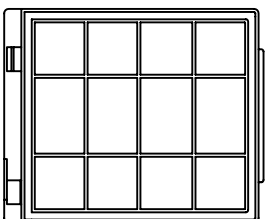
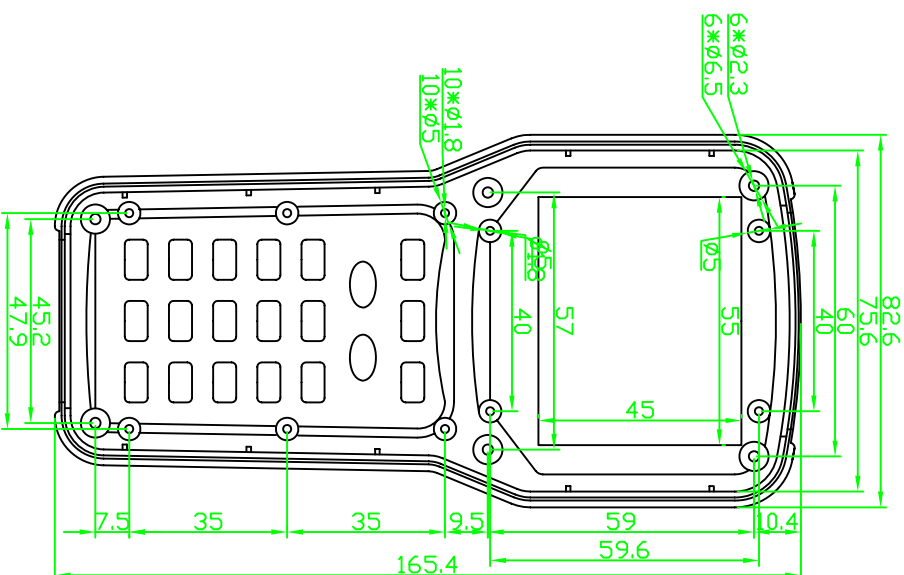
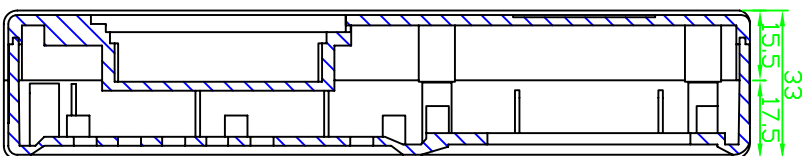
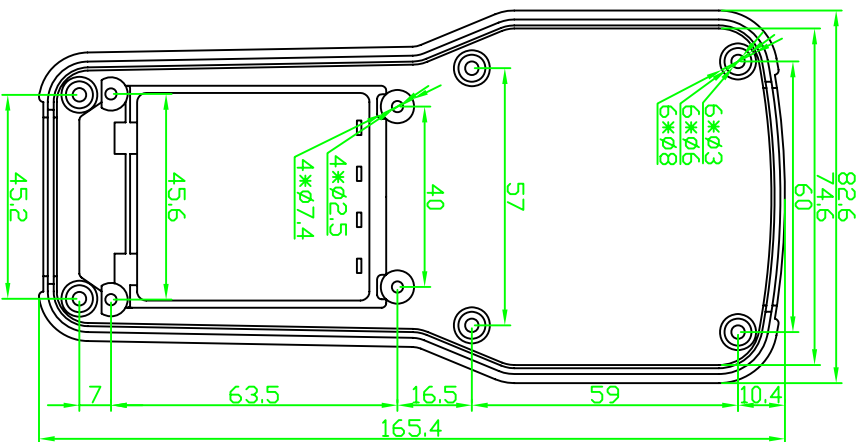


REVISION RECORD				
REV	ECD	DESCRIPTION	DFT	CHKD



电池盖

DETACHED LISTS		TOLERANCES EXCEPT AS NOTED		FINISH	
MM	(INCH)	MM	(INCH)	FINISH	SCALE
± 0.03	± 0.0012	± 0.03	± 0.0012		1:1
± 0.02	± 0.0008				
± 0.1	± 0.004				

DATE	DATE	DATE	DATE

DRFT	CHKD	DATE	DATE

APPL	DATE

MATERIAL	ABS
----------	-----

QT'Y	1
------	---

FINISH	
--------	--

SCALE	1:1
-------	-----

DD NOT SCALE DRAWING	SHEET 1	OF 1
----------------------	---------	------

埃弗勒斯 EVEREST
WWW.EVERESTCASE.COM

TITLE
PH031

DRAWING NO. PH031
/PART NO. 00
SIZE A4
REV